

CORRECTED VERSION

(19) World Intellectual Property Organization International Bureau



(10) International Publication Number WO 2017/053689 A8

(43) International Publication Date 30 March 2017 (30.03.2017)

(51) International Patent Classification:

A61G 5/06 (2006.01) A61G 5/04 (2006.01) A61G 5/10 (2006.01)

(21) International Application Number:

PCT/US20 16/053287

(22) International Filing Date:

23 September 2016 (23.09.2016)

(25) Filing Language:

English

(26) Publication Language:

English

(30) Priority Data:

62/232,550 25 September 2015 (25.09.2015) US

(71) Applicants: UNIVERSITY OF PITTSBURGH - OF THE COMMONWEALTH SYSTEM OF HIGHER EDUCATION [US/US]; 1st Floor Gardner Steel Conference Center, 130 Thackeray Avenue, Pittsburgh, PA 15260 (US). THE UNITED STATES GOVERNMENT AS REPRESENTED BY THE DEPARTMENT OF VETERANS AFFAIRS [US/US]; Office of General Counsel-PSG IV (024), 810 Vermont Avenue, N.W., Washington, DC 20420 (US).

(72) Inventors: WANG, Hongwu; 128 Manchester Circle, Apartment 2 Left, Pittsburgh, PA 15237 (US). COOPER, Rory, Alan; 79 Kaufman Road, Gibsonia, PA 15044 (US). CHUNG, Chengshiu; 6423 Forward Avenue, Pittsburgh, PA 15217 (US). CANDIOTTI, Jorge, Luis; 602 Leighton

Court, Mars, PA 16046 (US). GRINDLE, Garrett, G.; 1008 Mifflin Avenue, Apt. 3, Pittsburgh, PA 15221 (US). PEARLMAN, Jonathan, L.; 6425 Jackson Street, Pittsburgh, PA 15206 (US). DAVELER, Brandon, Joseph; 341 Darragh Street, Apt. 416, Pittsburgh, PA 15213 (US).

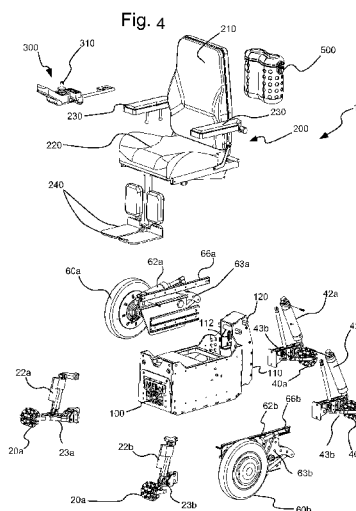
(74) Agent: BARTONY, Henry, E., Jr.; Bartony & Associates, LLC, P.O. Box 910, Butler, PA 16003-0910 (US).

(81) Designated States (unless otherwise indicated, for every kind of national protection available): AE, AG, AL, AM, AO, AT, AU, AZ, BA, BB, BG, BH, BN, BR, BW, BY, BZ, CA, CH, CL, CN, CO, CR, CU, CZ, DE, DJ, DK, DM, DO, DZ, EC, EE, EG, ES, FI, GB, GD, GE, GH, GM, GT, HN, HR, HU, ID, IL, IN, IR, IS, JP, KE, KG, KN, KP, KR, KW, KZ, LA, LC, LK, LR, LS, LU, LY, MA, MD, ME, MG, MK, MN, MW, MX, MY, MZ, NA, NG, NI, NO, NZ, OM, PA, PE, PG, PH, PL, PT, QA, RO, RS, RU, RW, SA, SC, SD, SE, SG, SK, SL, SM, ST, SV, SY, TH, TJ, TM, TN, TR, TT, TZ, UA, UG, US, UZ, VC, VN, ZA, ZM, ZW.

(84) Designated States (unless otherwise indicated, for every kind of regional protection available): ARIPO (BW, GH, GM, KE, LR, LS, MW, MZ, NA, RW, SD, SL, ST, SZ, TZ, UG, ZM, ZW), Eurasian (AM, AZ, BY, KG, KZ, RU, TJ, TM), European (AL, AT, BE, BG, CH, CY, CZ, DE, DK, EE, ES, FI, FR, GB, GR, HR, HU, IE, IS, IT, LT, LU, LV, MC, MK, MT, NL, NO, PL, PT, RO, RS, SE, SI, SK,

[Continued on nextpage]

(54) Title: MOBILITY ENHANCEMENT WHEELCHAIR



(57) Abstract: A wheelchair includes a frame, a seat attached to the frame, a first forward wheel on a first side of the frame and a second forward wheel on a second side of the frame, a first rearward wheel on the first side of the frame and a second rearward wheel on the second side of the frame, a first drive wheel on the first side of the frame positioned intermediate between the first forward wheel and the first rearward wheel and a second drive wheel on the second side of the frame positioned intermediate between the second forward wheel and the second rearward wheel, and actuators to independently control the vertical position of the first forward wheel relative to the frame, the vertical position of the second forward wheel relative to the frame, the vertical position of the first rearward wheel relative to the frame, the vertical position of the second rearward wheel relative to the frame, the vertical position of the first drive wheel relative to the frame and the vertical position of the second drive wheel relative to the frame.



WO 2017/053689 A8

